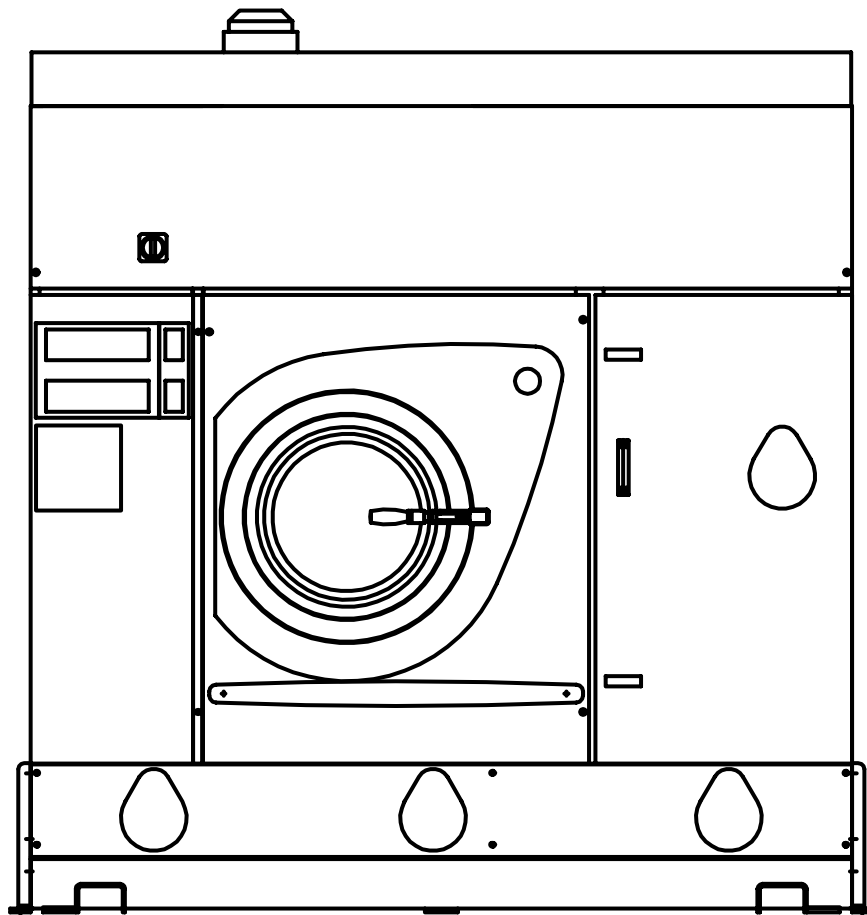




FIRBIMATIC

DRY CLEANING DIVISION

TECHNICAL INFORMATION



L 2018

WORKING MACHINE WITH SOLVENT	PERCHLORETHYLENE	
MACHINE CAPACITY (RATIO 1:20)	Kg	18

BASKET

Diameter	mm	900
Depth	mm	535
Volume	Lt	340
Wash speed	rpm	12 ÷ 50
Extract speed	rpm	300 ÷ 540
Door opening	mm	500

SOLVENT TANKS

Useful volume tank 1	Lt	110
Useful volume tank 2	Lt	110
Useful volume tank 3	Lt	200
FLOOR SAFETY TANK CAPACITY	Lt	360

DESTILLATOR

Useful volume at half inspection	Lt	190
Total volume	Lt	230
Boiler water capacity	Lt	7

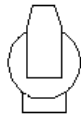
ELECTRIC POWER


(400 V - 50 Hz)

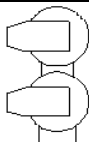
Wash motor - Extract motor (with Inverter)	Hp	4.7	Kw	3.5
Solvent pump motor	Hp	1	Kw	0.75
Fan motor	Hp	3	Kw	2.25
Refrigerator compressor MT65 (R404*)	Hp	5	Kw	3.75
Nylon filter motor	Hp	0.75	Kw	0.55
Still residue pump	Hp	0.75	Kw	0.55
Exhaust fan motor	Hp	0.18	Kw	0.13
Still electric elements	Hp		Kw	9
Heater electric elements with Energy Still*	Hp		Kw	9
Heater electric elements without Energy Still	Hp		Kw	-
Air motor compressor	Hp	0.5	Kw	0.37
Fan motor Coalperc - 301	Hp	1	Kw	0.75
Mini boiler Coalperc - 301 electric version	Hp		Kw	6


NOTE: Acoustic emission level of the machine is lower than 70 dB (A)

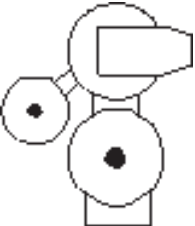
FILTRATION AVAILABLE IN THIS MODEL

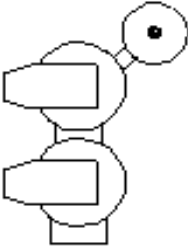
Version - ONE NYLON FILTER			
	Volume nylon filter housing	Lt	55
	Nylon filter area	mt ²	3,9
	Filter disks	nr	26

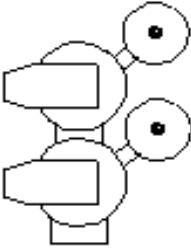
Version - ONE NYLON FILTER AND ONE DECOLORATING FILTER KR			
	Volume nylon filter housing	Lt	55
	Nylon filter area	mt ²	3,9
	Filter disks	nr	26
	KR Decolorating housing volume	Lt	55
	KR Decolorating filter area	mt ²	2,6 x 2 = 5,2
	KR cartridges quantity	nr	2

Version - TWO NYLON FILTER			
	Volume nylon filter	Lt	55 x 2 = 110
	Nylon filter area	mt ²	3,9 x 2 = 7,8
	Filter disks	nr	26 x 2 = 52

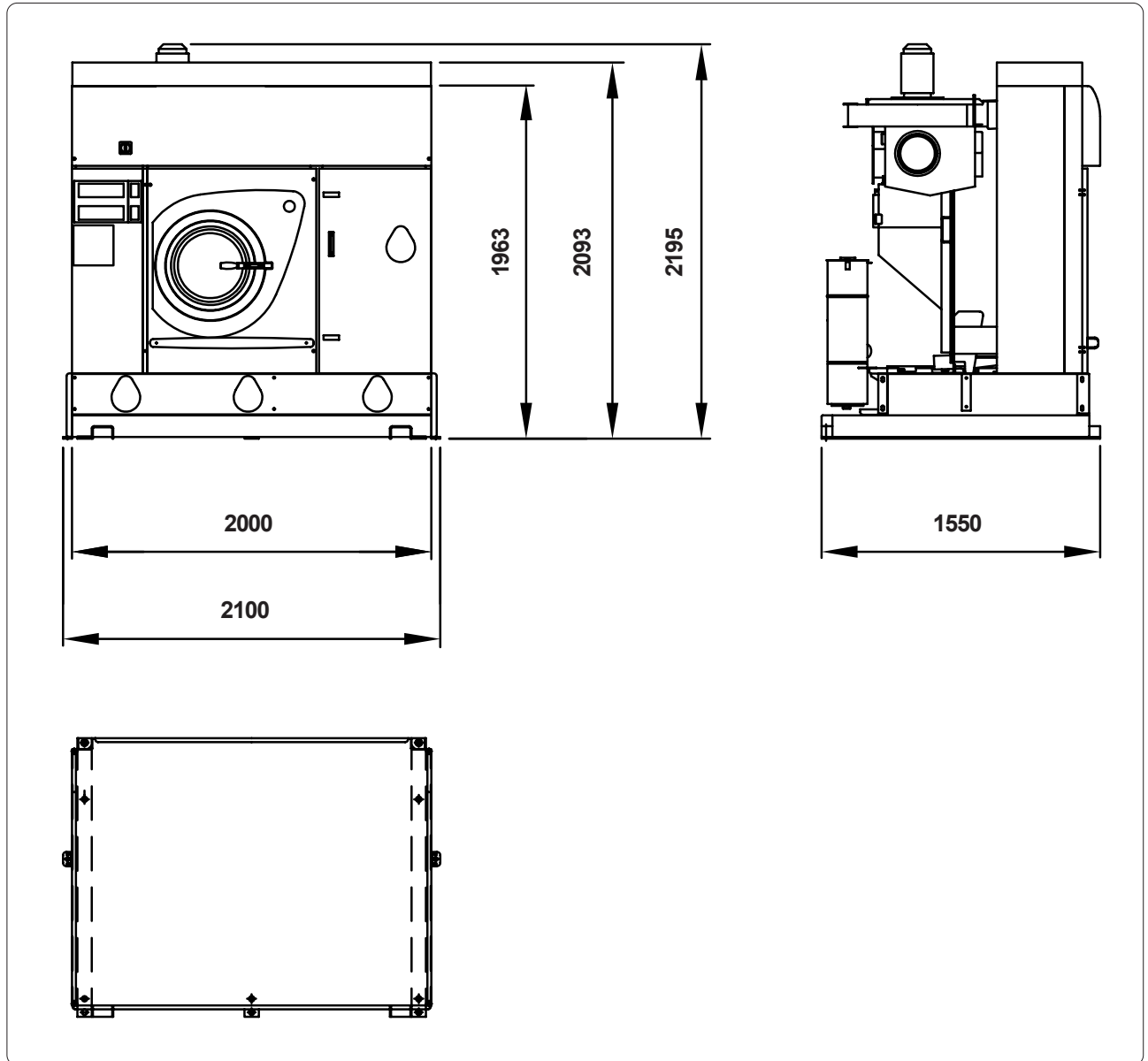
Version - ONE NYLON FILTER AND ONE DECO FILTER - PR			
	Volume nylon filter	Lt	55
	Nylon filter area	mt ²	3,9
	Filter disks	nr	26
	PR - Deco filter volume	Lt	25
	PR - Cartridge quantity	mt ²	2
	Decolorating carbon quantity	Kg	4

Version - ONE NYLON ONE CARTRIDGE -KR ONE DECOLORATING PR			
	Volume nylon filter housing	Lt	55
	Nylon filter area	mt ²	3,9
	Filter disks	nr	26
	KR Decolorating housing volume	Lt	55
	KR Decolorating filter area	mt ²	2,6 x 2 = 5,2
	KR Decolorating cartridges	nr	2
	PR - Deco filter volume	Lt	25
	Tubes	nr	1
	PR - Cartridge quantity	nr	2
	Decolorating carbon quantity	Kg	4

Version - TWO NYLON FILTER AND ONE DECO FILTER - PR			
	Capacité filtre nylon	Lt	55 x 2 = 110
	Surface filtre nylon	mt ²	3,9 x 2 = 7,8
	Quantité des disques	nr	26 x 2 = 52
	Capacité filtre décolorateur - PR	Lt	25
	Tubes	nr	1
	Quantité de cartouches décol.	nr	2
	Quantité de charbon décolorant	Kg	4

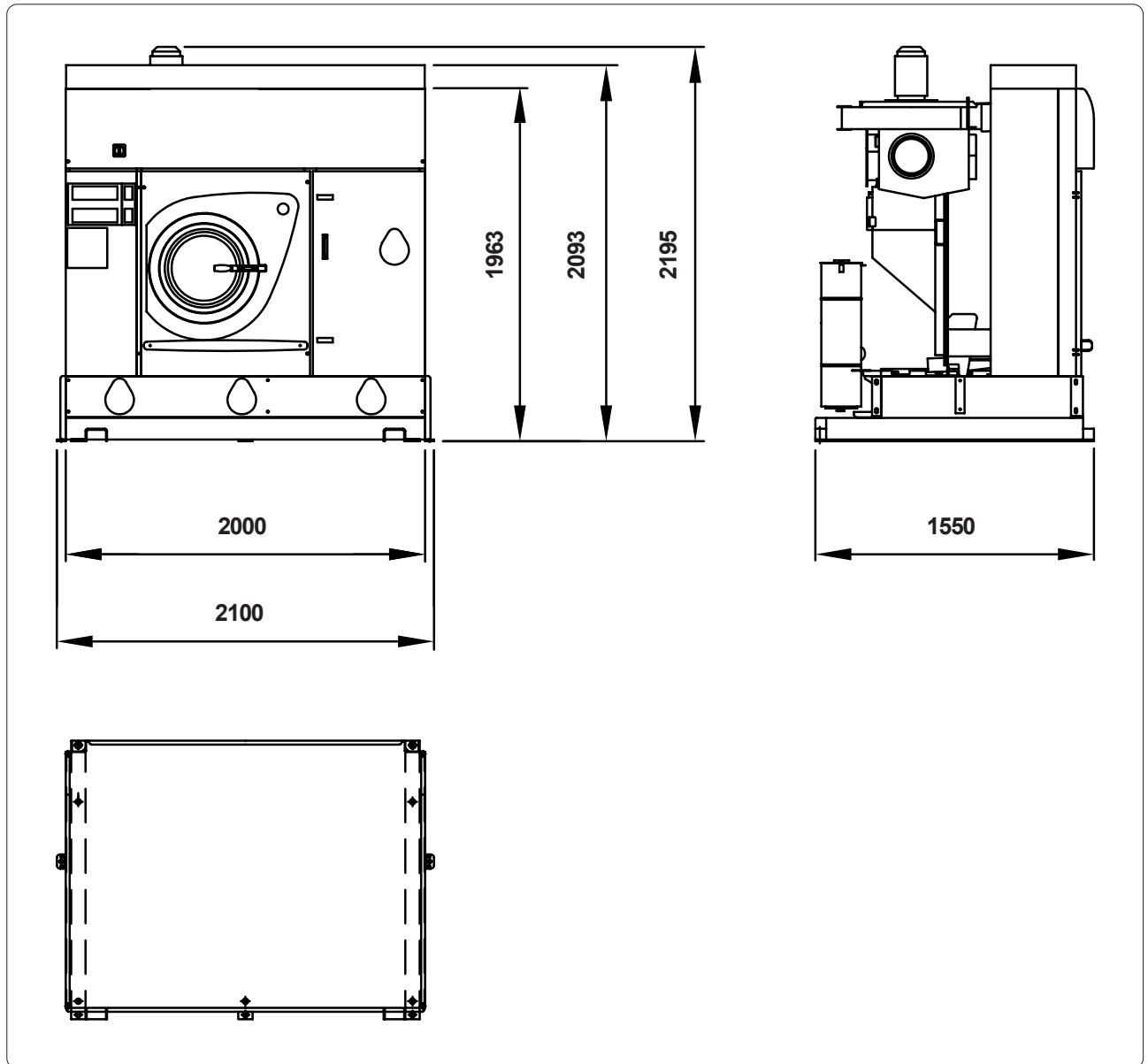
Version - TWO NYLON FILTER AND TWO DECO FILTER - PR			
	Volume nylon filter	Lt	55 x 2 = 110
	Nylon filter area	mt ²	3,9 x 2 = 7,8
	Filter disks	nr	26 x 2 = 52
	PR - Deco filter volume	Lt	25 x 2 = 50
	Tubes	nr	2
	PR - Cartridge quantity	nr	4
	Decolorating carbon quantity	Kg	8

DIMENSIONS AND WEIGHTS - STANDARD VERSION



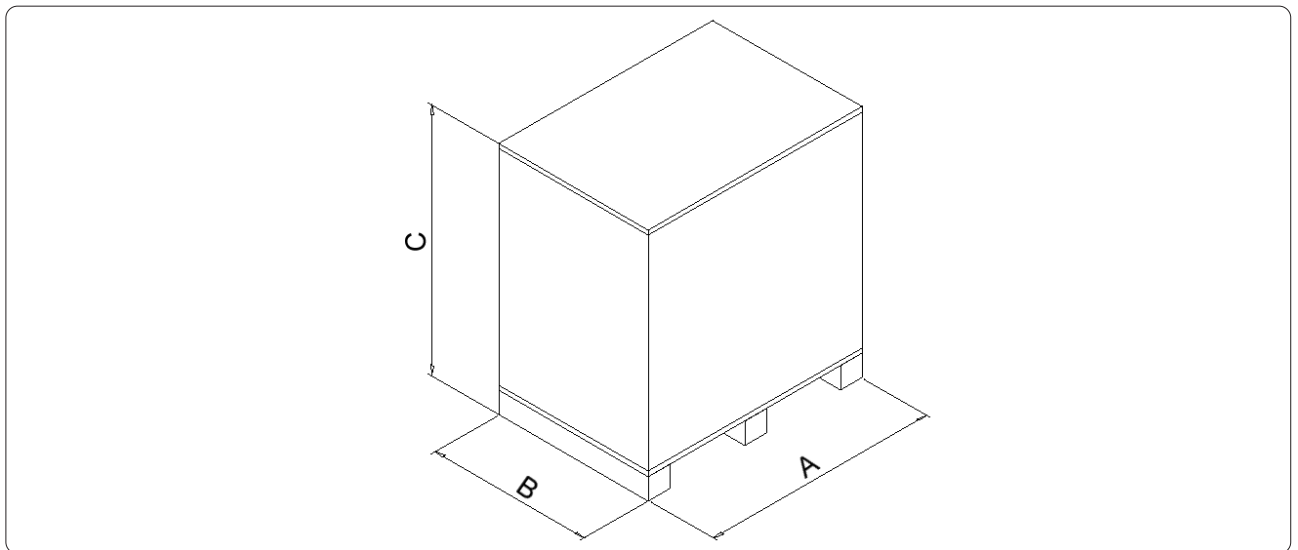
CHARGES		
Empty machine weight	Kg	1620
Machine weight with solvent	Kg	2550
Static charge on the floor with solvent	Kg/m ²	825
Dynamic charge on the floor (+10%)	Kg/m ²	1065

DIMENSIONS AND WEIGHTS - PLUS VERSION



CHARGES		
Empty machine weight	Kg	1852
Machine weight with solvent	Kg	2782
Static charge on the floor with solvent	Kg/m ²	897
Dynamic charge on the floor (+10%)	Kg/m ²	1145

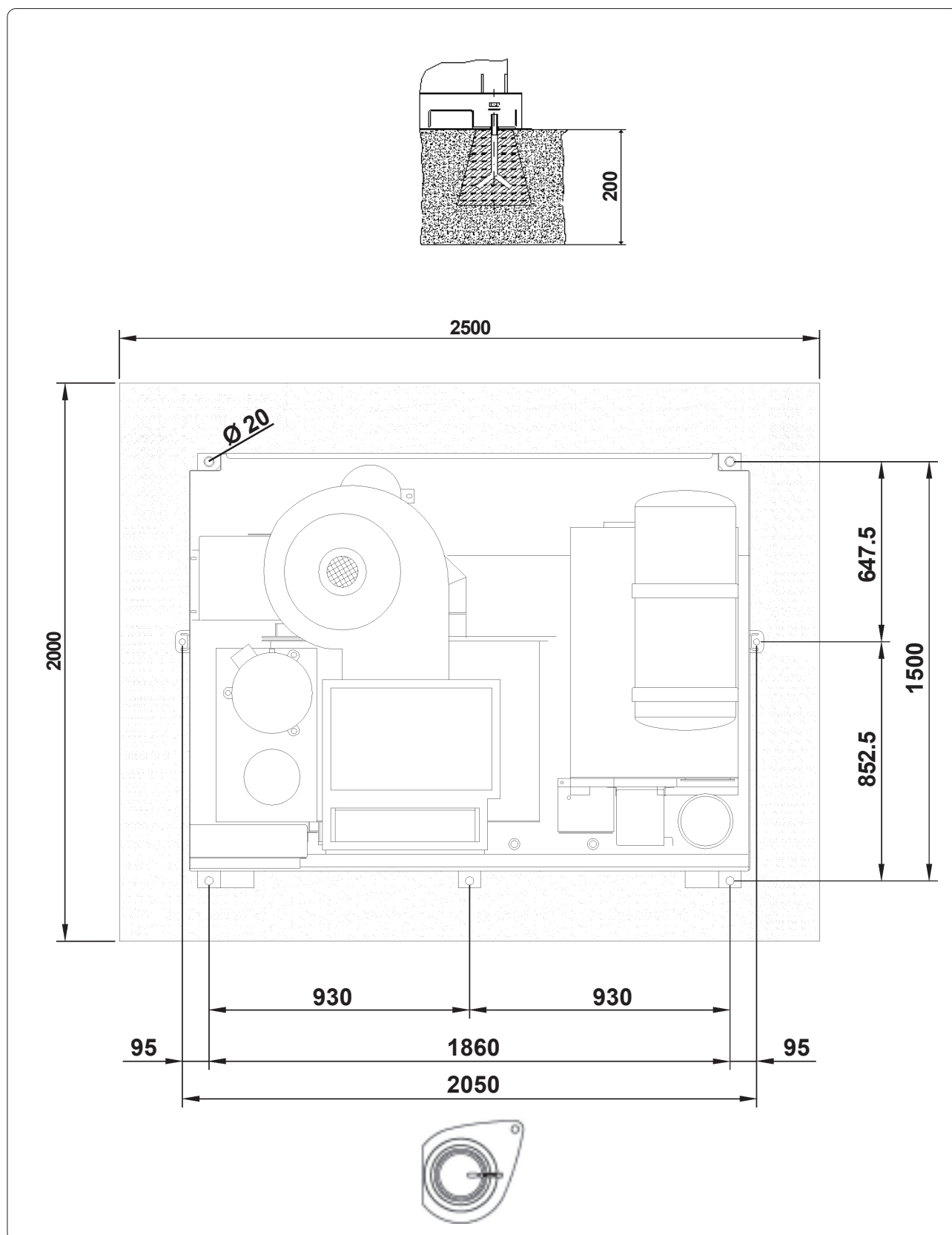
PACKAGED MACHINE DIMENSIONS AND WEIGHTS



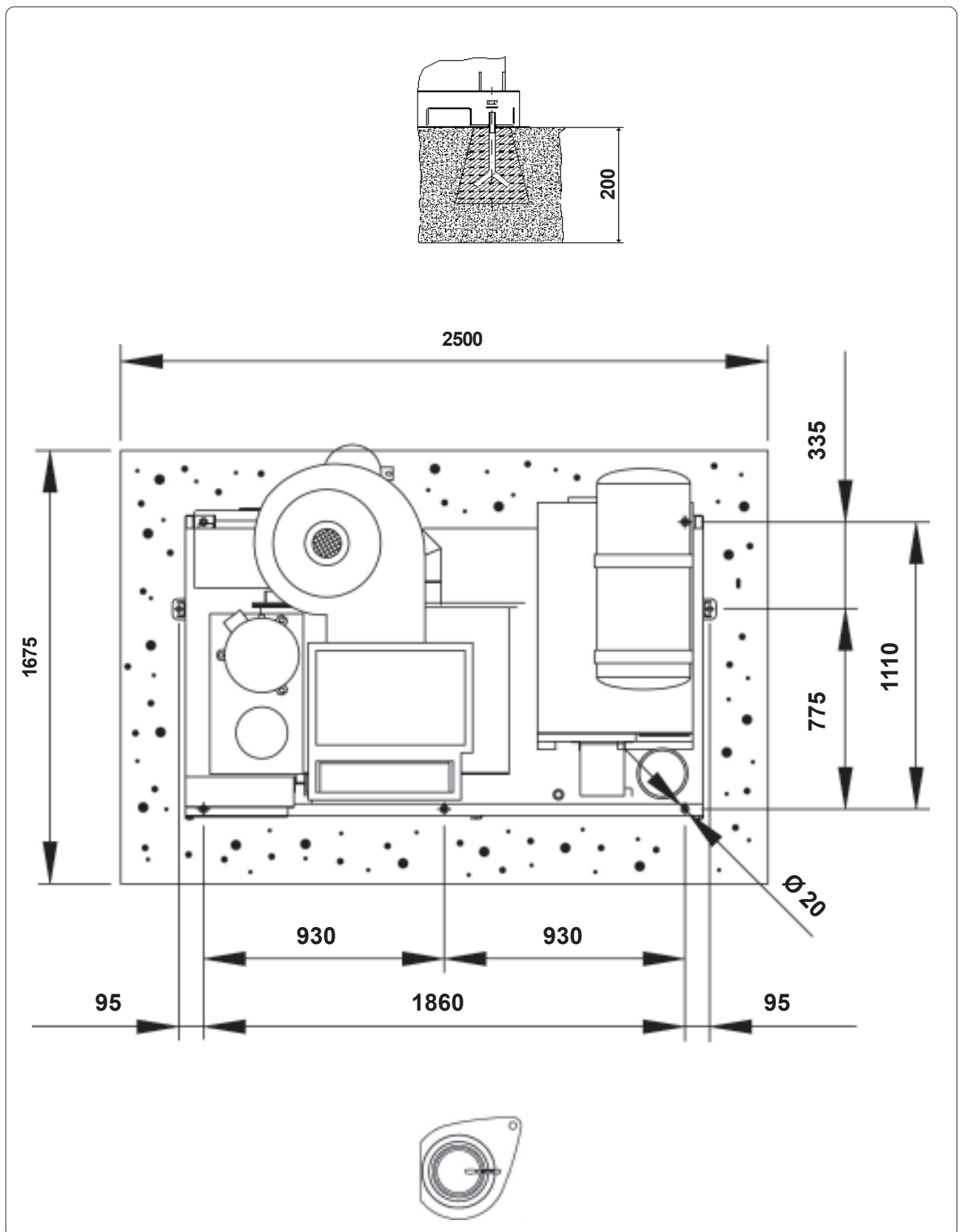
PACKAGED MACHINE DIMENSIONS				
Machine type		Carton	Wooden cage	Wooden case
L 2018	A	mm 2240	mm 2290	
	B	mm 1850	mm 1850	
	C	mm 2430	mm 2450	
L 2018 Plus	A	mm 2240	mm 2290	
	B	mm 1850	mm 1850	
	C	mm 2430	mm 2450	

PACKAGED MACHINE WEIGHTS			
Machine type	Carton	Wooden cage	Wooden case
L 2018	Kg 1730	Kg 1900	
L 2018 Plus	Kg 1980	Kg 2180	

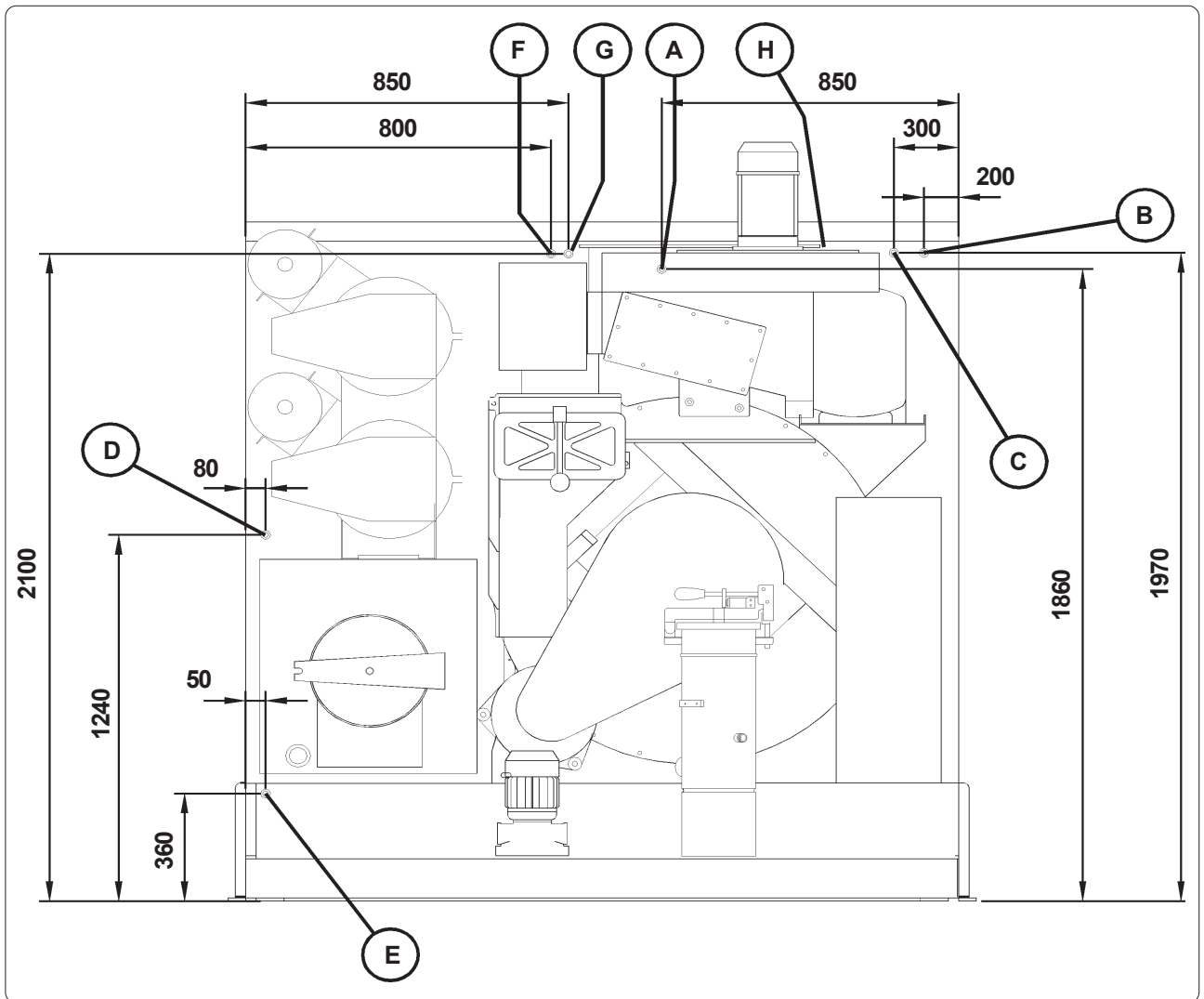
FIXING POINTS - WITH FLOOR TANK



FIXING POINTS - WITHOUT FLOOR TANK



CONNECTIONS - STANDARD VERSION



A	Compressed air inlet	mm 6
B	Water inlet	Ø 1"
C	Water outlet	Ø 1"
D	Steam still inlet	Ø 1/2"
E	Condensate still outlet	Ø 1/2"
F	Steam heater inlet	Ø 1/2"
G	Condensate heater outlet	Ø 1/2"
H	Electric connection	

SOLVENT TYPE		PERCHLOROETHYLENE		
NECESSARY QUANTITY OF SOLVENT TO FILL THE MACHINE				
Version - 1 Nylon Filter	Lt	475	Kg	760
Version - 1 Nylon Filter + 1 KR Cartridge Filter	Lt	530	Kg	850
Version - 2 Nylon Filter	Lt	530	Kg	850
Version - 1 Nylon Filter + 1 Deco Filter	Lt	500	Kg	800
Version - 1 Nylon Filter + 1 Kr Filter + 1 Deco Filter	Lt	555	Kg	890
Version - 2 Nylon Filter + 1 Deco Filter	Lt	555	Kg	890
Version - 2 Nylon Filter + 2 Deco Filter	Lt	580	Kg	930

INFORMATION FOR THE ELECTRICAL CONNECTIONS (400 V - 50 Hz)				
ELECTRIC Version with ENERGY STILL	Kw	28.5	Amp	58
ELECTRIC Versione without ENERGY STILL	Kw	-	Amp	-
STEAM Version	Kw	10.5	Amp	30
Dissipated heat			Kcal	5150

GENERAL INFORMATION		
Required water capacity	Lt/min	10
Required water pressure	bar	3 ÷ 5
Required water temperature	°C	18° ÷ 23°
Required air pressure	bar	7 ÷ 8
Required steam pressure (Steam Version)	bar	4 ÷ 5
Required steam availability (Steam Version)	Kg/h	60

All technical data are subject to change without notice.