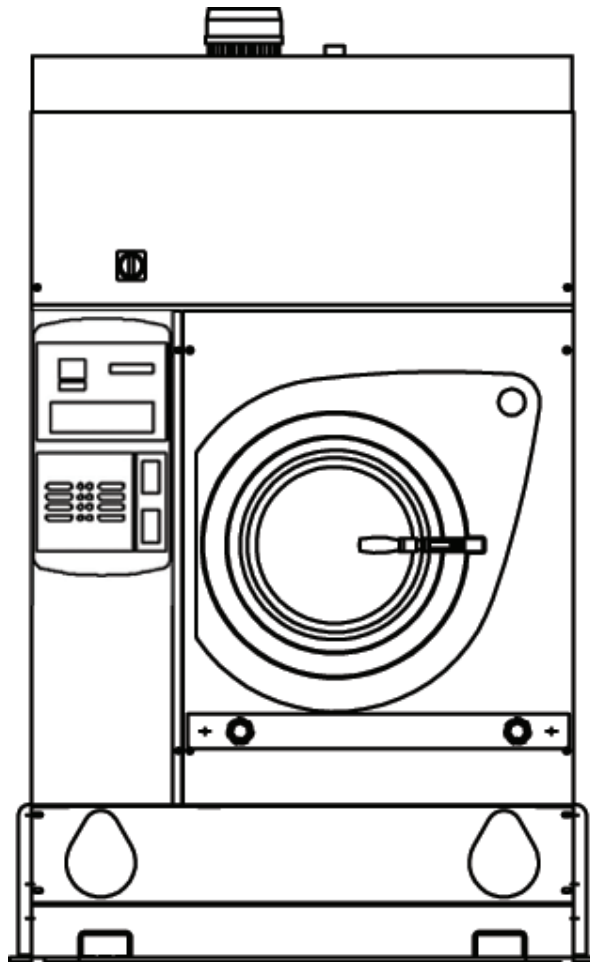




FIRBIMATIC

DRY CLEANING DIVISION

TECHNICAL INFORMATION



S 2018

WORKING MACHINE WITH SOLVENT:	PERCLORETHILENE	
MACHINE CAPACITY (RATIO 1:20)	Kg	18

BASKET

Diameter	mm	900
Depth	mm	535
Volume	Lt	340
Wash speed without Inverter	rpm	40
Extract speed without Inverter	rpm	400
Wash speed with Inverter	rpm	12 ÷ 50
Extract speed with Inverter	rpm	300 ÷ 540
Door opening	mm	500

SOLVENT TANKS

Useful volume tank 1	Lt	95
Useful volume tank 2	Lt	150
FLOOR SAFETY TANK CAPACITY	Lt	315

DESTILLATOR



Useful volume at half inspection	Lt	190
Total volume	Lt	225
Boiler water capacity	Lt	15

ELECTRIC POWER

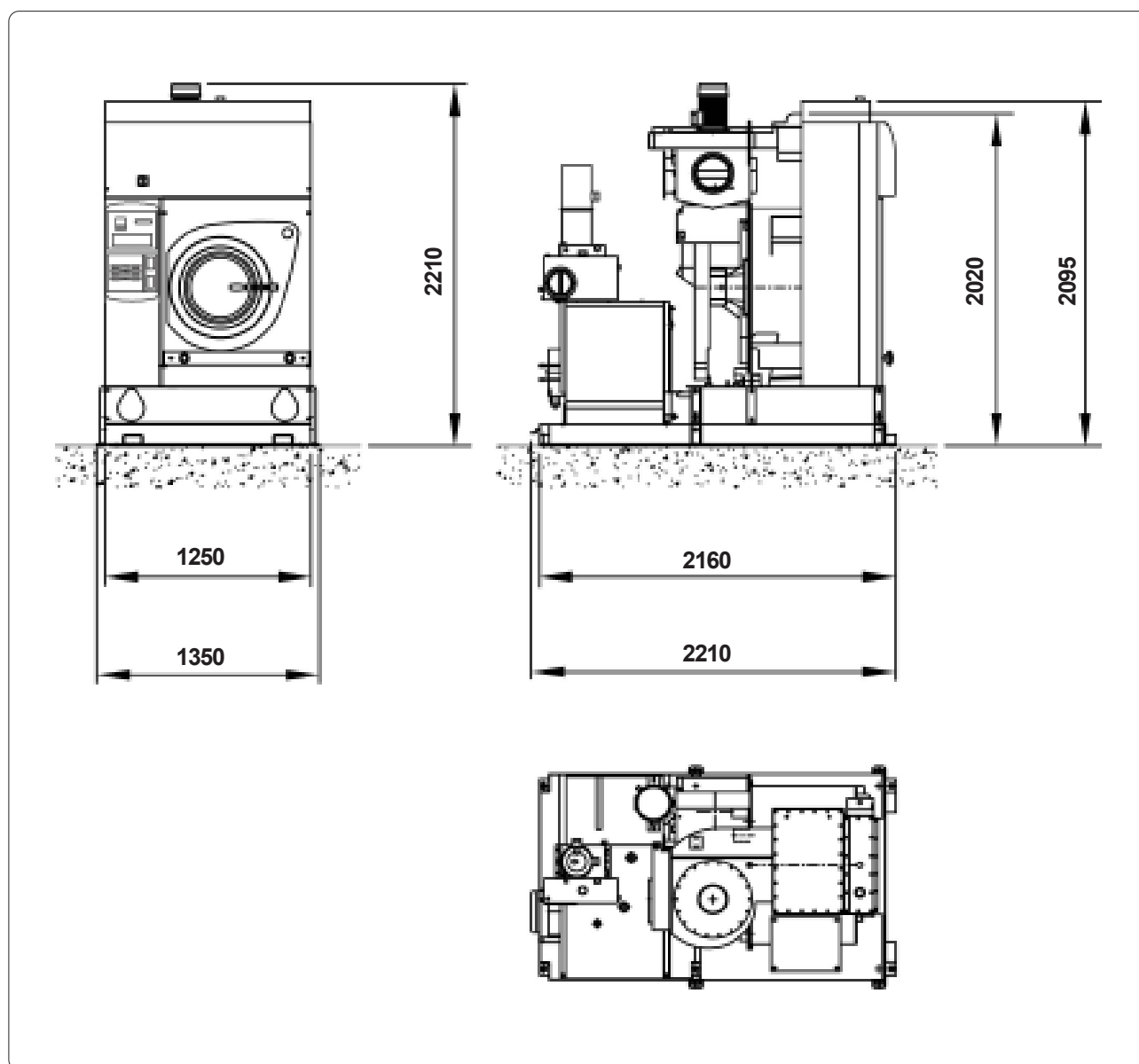
(400V - 3~50Hz)

Wash motor - Extract motor (with Inverter)	Hp	4.7	Kw	3.5
Solvent pump motor	Hp	1	Kw	0.75
Fan motor	Hp	2	Kw	1.5
Fridge compressor MT65 (R404)	Hp	5	Kw	3.75
Nylon filter motor	Hp	0.75	Kw	0.55
Still residue pump	Hp	0.75	Kw	0.55
Exhaust fan motor	Hp	0.18	Kw	0.13
Still electric elements	Hp	---	Kw	9
Heater electric elements with Energy Still	Hp	---	Kw	9
Air motor compressor	Hp	0.5	Kw	0.37
Fan motor Coalperc 301	Hp	1	Kw	0.75

NOTE: Acoustic emission level of the machine is lower than 70 dB (A)

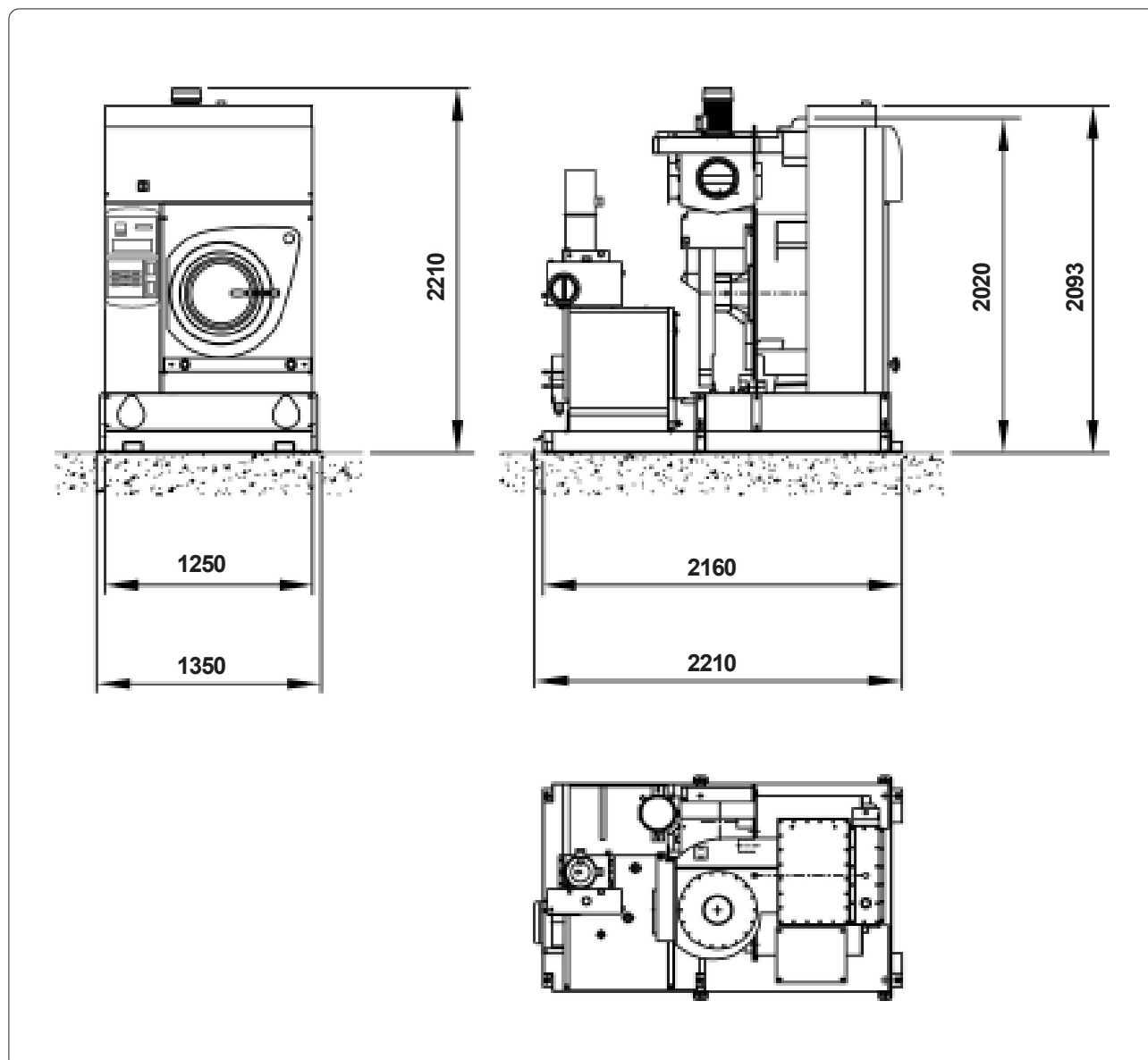
FILTRATION AVAILABLE IN THIS MODEL			
Version	ONE NYLON FILTER		
	Volume nylon filter housing	Lt	55
	Nylon filter area	mt ²	3.9
	Filter disks	nr	26
Version	ONE NYLON FILTER AND ONE DECOLORATING FILTER - PR		
	Volume nylon filter housing	Lt	55
	Nylon filter area	mt ²	3.9
	Filter disks	nr	26
	PR - Decolorating housing volume	Lt	13
	PR - Decolorating cartridges	nr	1
	Decolorating cabon quantity	Kg	2

DIMENSIONS AND WEIGHTS - STANDARD Version



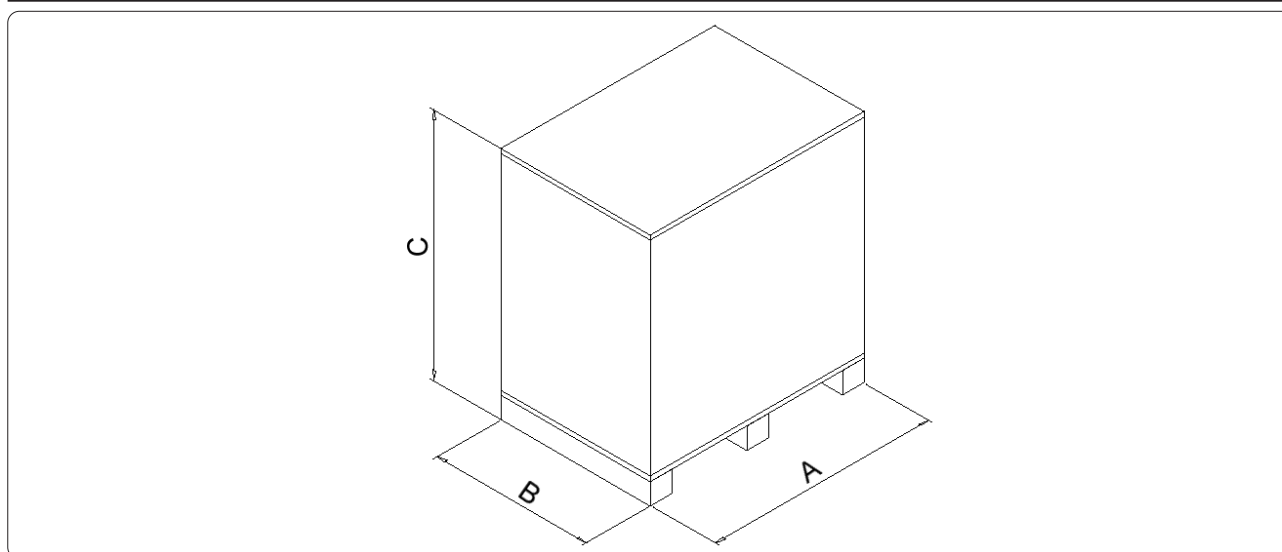
CHARGES		
Empty machine weight	Kg	1510
Machine weight with solvent	Kg	2015
Static charge on the floor with solvent	Kg/m ²	746
Dynamic charge on the floor (+10%)	Kg/m ²	1002

DIMENSIONS AND WEIGHTS - PLUS Version



CHARGES		
Empty machine weight	Kg	1690
Machine weight with solvent	Kg	2195
Static charge on the floor with solvent	Kg/m²	813
Dynamic charge on the floor (+10%)	Kg/m²	1075

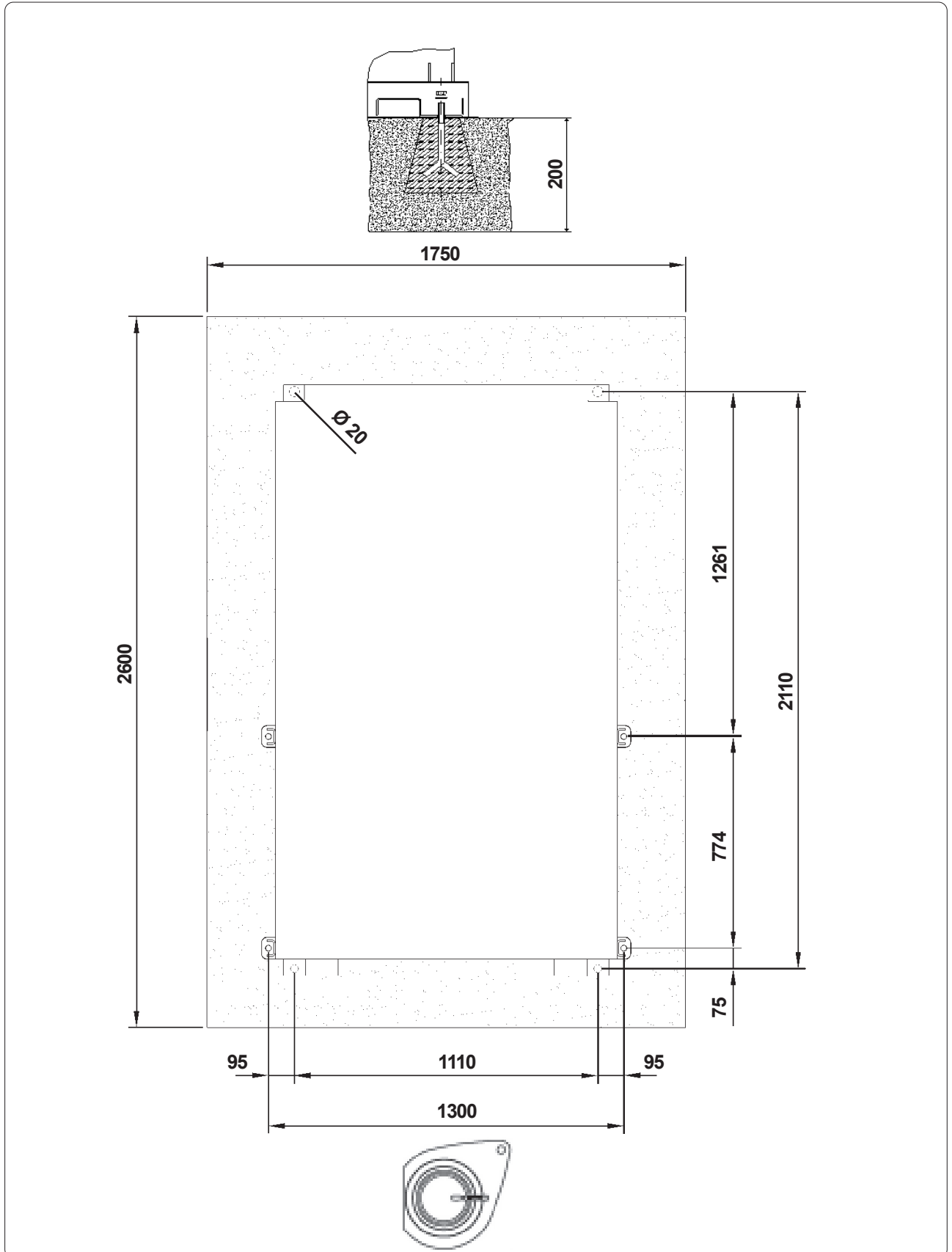
PACKAGED MACHINE DIMENSIONS AND WEIGHTS



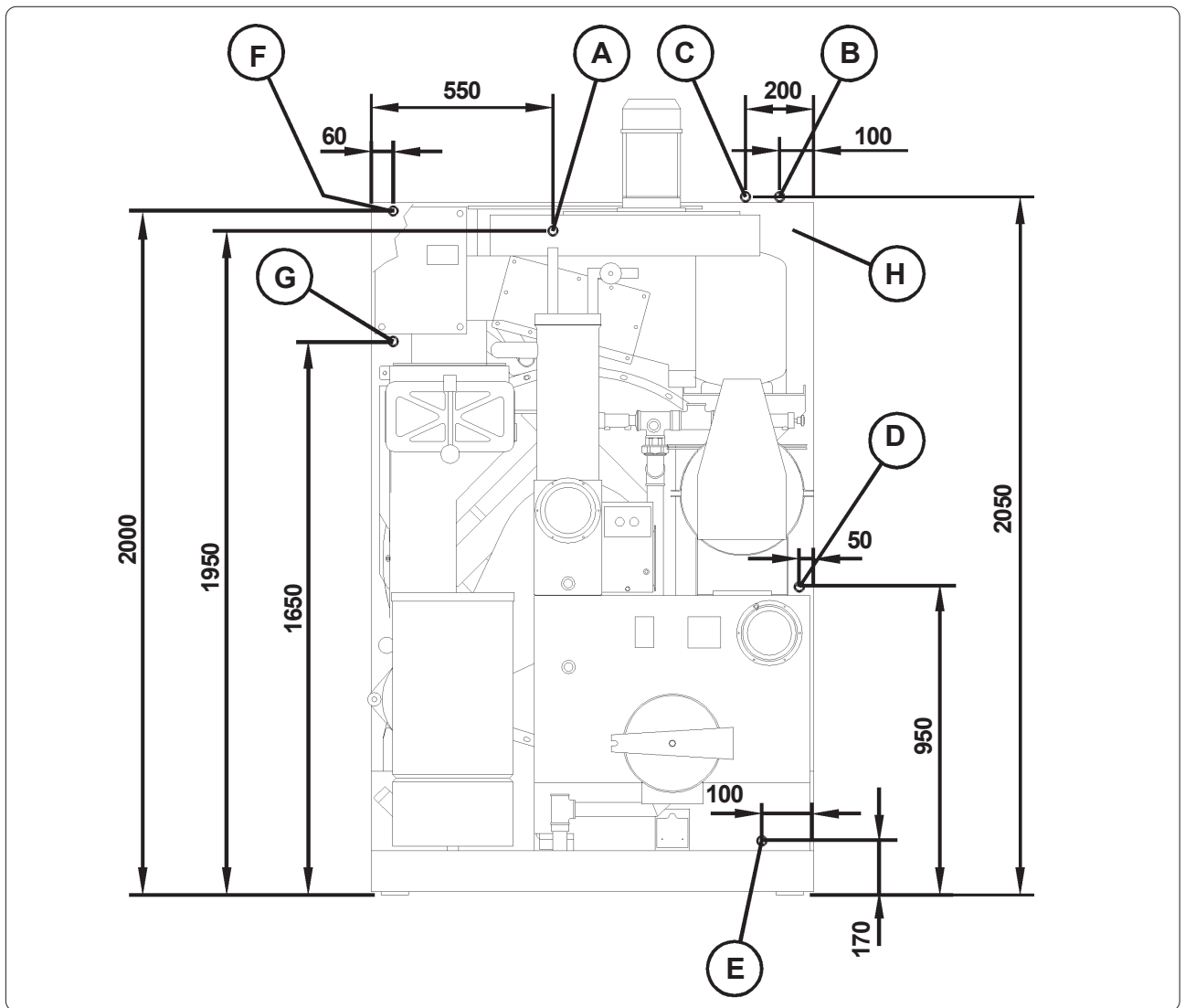
PACKAGED MACHINE DIMENSIONS			
Machine type		Carton	Wooden cage
S 2018	A		mm 2280
	B		mm 1540
	C		mm 2425
S 2018 Plus	A		mm 2280
	B		mm 1540
	C		mm 2425

PACKAGED MACHINE WEIGHTS		
Machine type	Carton	Wooden cage
S 2018		
S 2018 Plus		Kg 1800

FIXING POINTS



CONNECTIONS



A	Compressed air inlet	Ø 6 mm
B	Water inlet	Ø 1"
C	Water outlet	Ø 1"
D	Steam still inlet	Ø 1/2"
E	Condensate still outlet	Ø 1/2"
F	Steam heater inlet	Ø 1/2"
G	Condensate heater outlet	Ø 1/2"
H	Electric connection	

SOLVENT TYPE	PERCHLORETHILENE			
NECESSARY QUANTITY OF SOLVENT TO FILL THE MACHINE				
Machine Version - 1 Nylon F.	Lt	300	Kg	480
Machine Version - 1 Nylon F. + 1 PR - Deco. F.	Lt	315	Kg	505

INFORMATION FOR THE ELECTRICAL CONNECTIONS (400V - 3~50Hz)

ELECTRIC Version	Kw	28.5	Amp	58
STEAM Version	Kw	10.5	Amp	30
Dissipated heat			Kcal	5150

GENERAL INFORMATION		
Required water capacity	Lt/min	10
Required water pressure	bar	3 ÷ 5
Required water temperature	°C	18° ÷ 23°
Required air pressure	bar	7 ÷ 8
Required steam pressure (Steam Version)	bar	4 ÷ 5
Required steam availability (Steam Version)	Kg/h	60

All technical data are subject to change without notice.